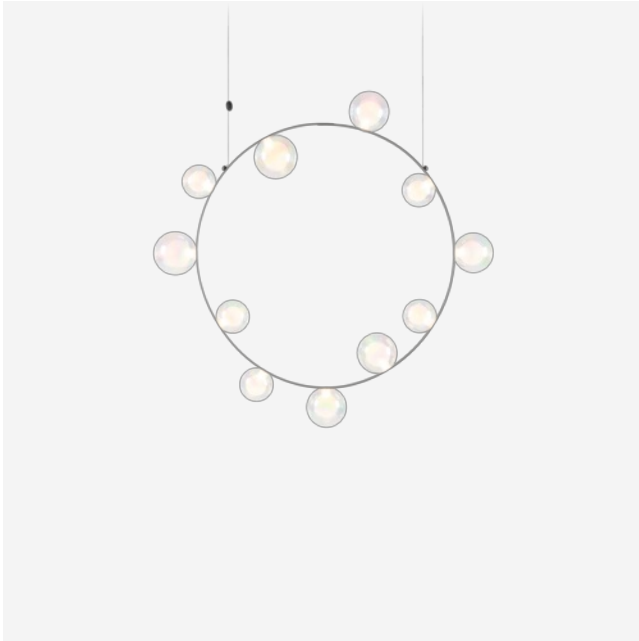


m o o o i

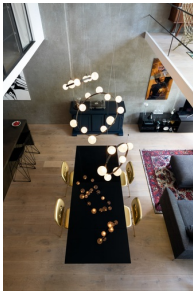
# Hubble Bubble

MARCEL WANDERS | POWERED THROUGH ELECTROSANDWICH® BY MARCEL WANDERS



Hubble Bubble, designed by Marcel Wanders studio, is an airy and joyful suspension lamp. Available in two sizes, with either 7 or 11 glass LED bubbles in oil-iridescent or frosted versions. Hubble Bubble can be hung both horizontally and vertically and is powered through Electrosandwich® by Marcel Wanders. Hubble Bubble is the cheery statement piece in your home that can hang from any angle.

## *Detailing*



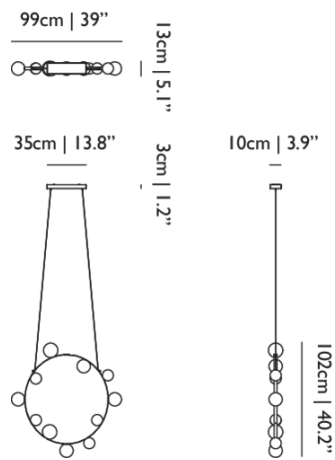
Hubble Bubble is powered through Electrosandwich® technology, so the bubbles don't need any additional wiring

## *Colours*

Hubble Bubble

# Hubble Bubble / 11

## Dimensions



## Product

**WIDTH** 99cm | 39"  
**HEIGHT** 102cm | 40.2"  
**DEPTH** 10cm | 3.9"  
**WEIGHT NETTO** 1.5kg | 3.31lbs

## Packaging

**WIDTH** 86.3cm | 34"  
**HEIGHT** 15cm | 5.9"  
**CUBAGE** 0.12m<sup>3</sup> | 4.17ft<sup>3</sup>  
**LENGTH** 91.3cm | 35.9"  
**WEIGHT** 1.5kg | 3.31lbs

## Technical CE

### MATERIAL

Metal frame, polycarbonate light guides and glass bulbs

### ENERGY LABEL

B

### LIGHTSOURCE TYPE

LED

### NUMBER OF LIGHTSOURCES

11

### INPUT VOLTAGE

220-240V

### MAX POWER CONSUMPTION

20W

### LIFETIME

50000 hours

### CABLE LENGTH

250cm | 98.4"

### COLOUR TEMPERATURE

2700 K

### LIGHT DIRECTION

All directions

### EEI

0.43

### INSTALLATION REQUIRED

Yes

### LIGHTSOURCE INCLUDED

Yes

### SHAPE

Round

### FREQUENCY

50/60

### LAMPHOLDER

LED (Solid state)

### CABLE COLOUR

Transparent with tinned cores

### CANOPY

Matching metal rectangle

### CRI

93

### LIGHT OUTPUT

530 lm

### EFFICIENCY

26.5 lm/W

**MEASURED POWER CONSUMPTION**

17W

**DIMMING & LIGHTING CONTROL**

Mains, Trailing edge, Reverse phase

*See last page for more information about the dimming possibilities.*

---

*Technical UL***MATERIAL**

Metal frame, polycarbonate light guides and glass bulbs

**ENERGY LABEL**

B

**INSTALLATION REQUIRED**

Yes

**LIGHTSOURCE TYPE**

LED

**LIGHTSOURCE INCLUDED**

Yes

**NUMBER OF LIGHTSOURCES**

11

**SHAPE**

Round

**INPUT VOLTAGE**

110-130V

**FREQUENCY**

50/60

**MAX POWER CONSUMPTION**

20W

**LAMPHOLDER**

LED (Solid state)

**LIFETIME**

50000 hours

**CABLE COLOUR**

Transparent with tinned cores

**CABLE LENGTH**

250cm | 98.4"

**CANOPY**

Matching metal rectangle

**COLOUR TEMPERATURE**

2700 K

**CRI**

93

**LIGHT DIRECTION**

All directions

**LIGHT OUTPUT**

530 lm

**EEI**

0.43

**EFFICIENCY**

26.5 lm/W

**MEASURED POWER CONSUMPTION**

17W

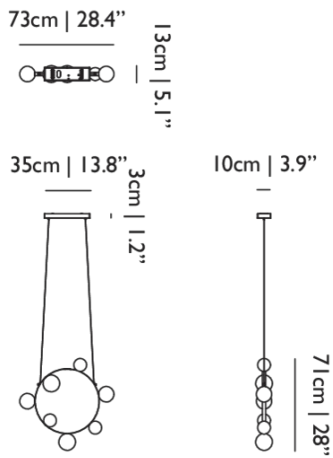
**DIMMING & LIGHTING CONTROL**

Mains, Trailing edge, Reverse phase

*See last page for more information about the dimming possibilities.*

# Hubble Bubble / 7

## Dimensions



## Product

**WIDTH** 73cm | 28.7"  
**HEIGHT** 71cm | 28"  
**DEPTH** 10cm | 3.9"  
**WEIGHT NETTO** 1.2kg | 2.65lbs

## Packaging

**WIDTH** 61cm | 24"  
**HEIGHT** 15cm | 5.9"  
**CUBAGE** 0.06m<sup>3</sup> | 1.97ft<sup>3</sup>  
**LENGTH** 61cm | 24"  
**WEIGHT** 1.2kg | 2.65lbs

## Technical CE

### MATERIAL

Metal frame, polycarbonate light guides and glass bulbs

### ENERGY LABEL

B

### LIGHTSOURCE TYPE

LED

### NUMBER OF LIGHTSOURCES

7

### INPUT VOLTAGE

220-240V

### MAX POWER CONSUMPTION

10W

### LIFETIME

50000 hours

### CABLE LENGTH

250cm | 98.4"

### COLOUR TEMPERATURE

2700 K

### LIGHT DIRECTION

All directions

### EEI

0.33

### INSTALLATION REQUIRED

Yes

### LIGHTSOURCE INCLUDED

Yes

### SHAPE

Round

### FREQUENCY

50/60

### LAMPHOLDER

LED (Solid state)

### CABLE COLOUR

Transparent with tinned cores

### CANOPY

Matching metal rectangle

### CRI

93

### LIGHT OUTPUT

306 lm

### EFFICIENCY

30.6 lm/W

**MEASURED POWER CONSUMPTION**

7W

**DIMMING & LIGHTING CONTROL**

Mains, Trailing edge, Reverse phase

*See last page for more information about the dimming possibilities.*

---

*Technical UL***MATERIAL**

Metal frame, polycarbonate light guides and glass bulbs

**ENERGY LABEL**

B

**INSTALLATION REQUIRED**

Yes

**LIGHTSOURCE TYPE**

LED

**LIGHTSOURCE INCLUDED**

Yes

**NUMBER OF LIGHTSOURCES**

7

**SHAPE**

Round

**INPUT VOLTAGE**

110-130V

**FREQUENCY**

50/60

**MAX POWER CONSUMPTION**

10W

**LAMPHOLDER**

LED (Solid state)

**LIFETIME**

50000 hours

**CABLE COLOUR**

Transparent with tinned cores

**CABLE LENGTH**

250cm | 98.4"

**CANOPY**

Matching metal rectangle

**COLOUR TEMPERATURE**

2700 K

**CRI**

93

**LIGHT DIRECTION**

All directions

**LIGHT OUTPUT**

306 lm

**EEI**

0.33

**EFFICIENCY**

30.6 lm/W

**MEASURED POWER CONSUMPTION**

7W

**DIMMING & LIGHTING CONTROL**

Mains, Trailing edge, Reverse phase

*See last page for more information about the dimming possibilities.*

## *Hubble Bubble / Spheres 11*

### *Product*

**WIDTH** 99cm | 39"  
**HEIGHT** 102cm | 40.2"  
**DEPTH** 10cm | 3.9"  
**WEIGHT NETTO** 1kg | 2.2lbs

### *Packaging*

**WIDTH** 25.5cm | 10"  
**HEIGHT** 31cm | 12.2"  
**CUBAGE** 0.07m<sup>3</sup> | 2.37ft<sup>3</sup>  
**LENGTH** 85cm | 33.5"  
**WEIGHT** 1kg | 2.2lbs

---

### *Technical*

#### **MATERIAL**

Metal frame, polycarbonate light guides and glass bulbs

---

## *Hubble Bubble / Spheres 7*

### *Product*

**WIDTH** 73cm | 28.7"  
**HEIGHT** 71cm | 28"  
**DEPTH** 10cm | 3.9"  
**WEIGHT NETTO** 1kg | 2.2lbs

### *Packaging*

**WIDTH** 27cm | 10.6"  
**HEIGHT** 32cm | 12.6"  
**CUBAGE** 0.05m<sup>3</sup> | 1.92ft<sup>3</sup>  
**LENGTH** 63cm | 24.8"  
**WEIGHT** 1kg | 2.2lbs

---

### *Technical*

#### **MATERIAL**

Metal frame, polycarbonate light guides and glass bulbs

---

## *Dimming & Lighting Control*

### *Mains, Trailing edge, Reverse phase*

The luminaire is dimmable by using an external Electronic Low Voltage dimmer. The dimmer is usually mounted on an existing wall socket and there is no need to change your home's wiring. On the dimmer it should show that it is a LED dimmer, suitable for 5 Watts or lower and C-type capable. Dimming is less fluent and can come with some flicker, a beep or a buzz.

Compatible models: 11 CE, 11 UL, 7 CE, 7 UL

---