

T-Lamp

MARCEL WANDERS



Based on the concepts of movement, grace and energy, the T-Lamp by Marcel Wanders visually reminds us of the fluidity and light motion of Alexander Calder's kinetic mobiles.

Detailing



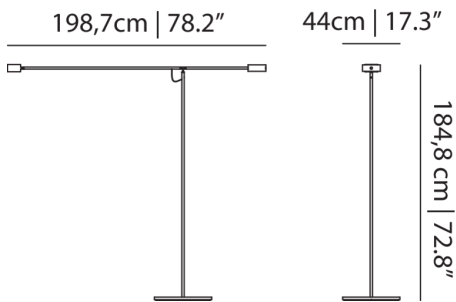
The T-Lamp has a solid marble foot. The movable arm and head enable you to move the light through your room and shine wherever you desire light.

Colours

T-Lamp

T-Lamp

Dimensions



Product

WIDTH 198cm | 78"
HEIGHT 184cm | 72.4"
DEPTH 44cm | 17.3"
WEIGHT NETTO 19.6kg | 43.21lbs

Packaging

WIDTH 48.2cm | 19"
HEIGHT 49cm | 19.3"
CUBAGE 0.57m³ | 20.18ft³
LENGTH 242cm | 95.3"
WEIGHT 40kg | 88.18lbs

Technical CE

MATERIAL

Steel frame, marble base and counterweight

ENERGY LABEL

A

LIGHTSOURCE TYPE

LED

LIGHTSOURCE INCLUDED

Yes

NUMBER OF LIGHTSOURCES

1

INPUT VOLTAGE

180-240V

FREQUENCY

50/60

MAX POWER CONSUMPTION

20W

LAMPHOLDER

LED (Solid state)

LIFETIME

50000 hours

CABLE COLOUR

Black

PLUG TYPE

US plug (Type A)

CABLE LENGTH

350cm | 137.8"

SWITCH

In line rotary dimmer switch integrated in power supply housing

COLOUR TEMPERATURE

2700 K

CRI

80

LIGHT DIRECTION

All directions

LIGHT OUTPUT

1150 lm

DIMMING & LIGHTING CONTROL

Dimmer on power cord

See last page for more information about the dimming possibilities.

*Technical CU***MATERIAL**

Steel frame, marble base and counterweight

ENERGY LABEL

A

LIGHTSOURCE TYPE

LED

LIGHTSOURCE INCLUDED

Yes

NUMBER OF LIGHTSOURCES

1

INPUT VOLTAGE

120-277V

FREQUENCY

50/60

MAX POWER CONSUMPTION

20W

LAMPHOLDER

LED (Solid state)

LIFETIME

50000 hours

CABLE COLOUR

Black

PLUG TYPE

US plug (Type A)

CABLE LENGTH

350cm | 137.8"

SWITCH

In line rotary dimmer switch integrated in power supply housing

COLOUR TEMPERATURE

2700 K

CRI

80

LIGHT DIRECTION

All directions

LIGHT OUTPUT

1150 lm

DIMMING & LIGHTING CONTROL

Dimmer on power cord

See last page for more information about the dimming possibilities.

Dimming & Lighting Control

Dimmer on power cord

Compatible models: T-Lamp CE, T-Lamp CU
