

Turbo Table

MAARTEN BAAS



Spontaneous and refreshing, the car's abstract design conveys the uncontaminated simplicity of childhood's thoughts and dreams. A candid sketch of a car roars to life and parks itself in your living room.

Detailing



The Turbo Table is fully equipped. Its antenna serves as a whimsy penholder.

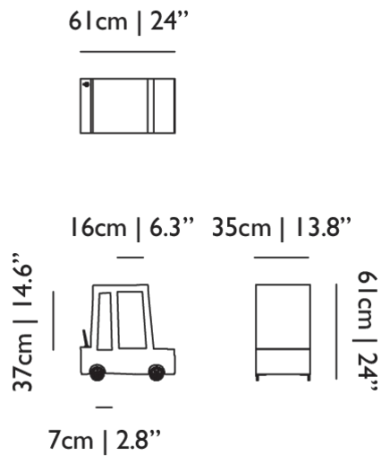
Colours



Oak

Turbo Table / High

Dimensions



Product

WIDTH 61cm | 24"
HEIGHT 61cm | 24"
DEPTH 35cm | 13.8"
WEIGHT NETTO 30kg | 66.14lbs

Packaging

WIDTH 80cm | 31.5"
HEIGHT 80cm | 31.5"
CUBAGE 0.32m³ | 11.3ft³
LENGTH 50cm | 19.7"
WEIGHT 35kg | 77.16lbs

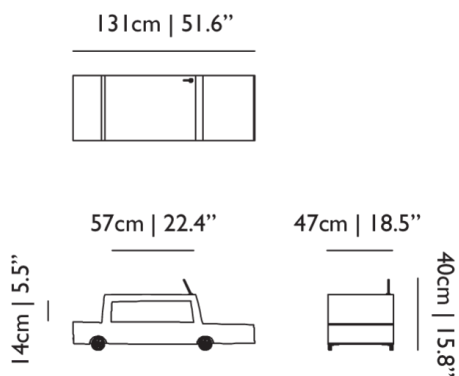
Technical

MATERIAL

Wooden frame, movable cast bronze wheels.

Turbo Table / Low

Dimensions



Product

WIDTH 131cm | 51.6"
DEPTH 40cm | 15.7"
DIAMETER 47cm | 18.5"
WEIGHT NETTO 60kg | 132.28lbs

Packaging

WIDTH 140cm | 55.1"
HEIGHT 50cm | 19.7"
CUBAGE 0.42m³ | 14.83ft³
LENGTH 60cm | 23.6"
WEIGHT 65kg | 143.3lbs

Technical

MATERIAL

Wooden frame, movable cast bronze wheels.